

TECHNICAL Patient Bedside Chair Technical Specification

Weight Limit

30 stones

190 kg

Fire Retardancy

Medium Hazard (Crib 5)

Cleaning Tolerances

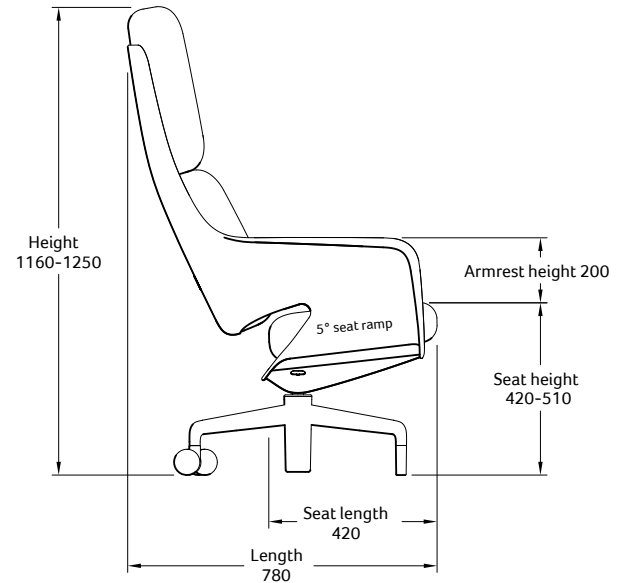
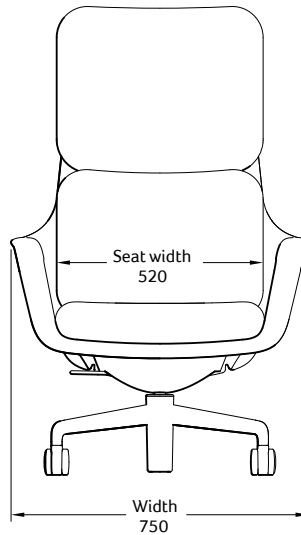
1000 ppm chlorine releasing bleach

Pressurised steam

Alcohol wipes

Product Codes

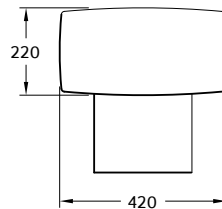
DBO Patient Chair complete with cushions:	DC001
DBO Patient Chair – 420mm fixed seat height	DC003
DBO Patient Chair – 470mm fixed seat height	DC004
DBO Patient Chair – 530mm fixed seat height	DC005
Chair frame	
(No cushions):	DC002
Seat cushion:	DC100
Backrest cushion:	DC101



Accessories

Product Codes

Patient Chair Headrest:	DC104
-------------------------	-------



Headrest