

# TECHNICAL Commode Technical Specification

## Function

Bedside toileting  
Portering patient to toilet  
Use over toilet as sani-chair

## Weight Limit

30 stones  
190 kg

## Cleaning Tolerances

1000 ppm chlorine releasing bleach  
Pressurised steam  
Alcohol wipes

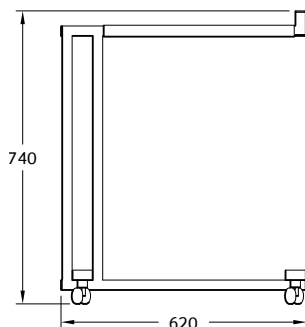
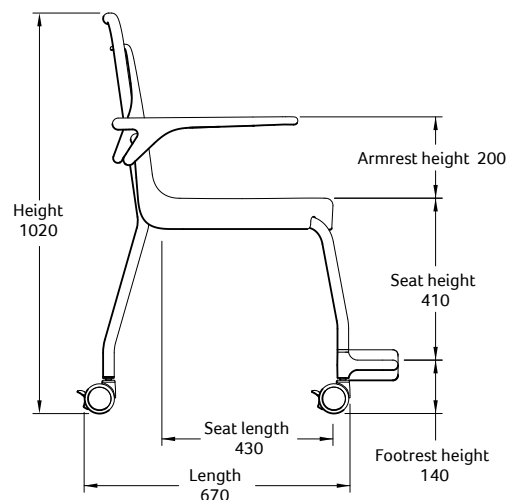
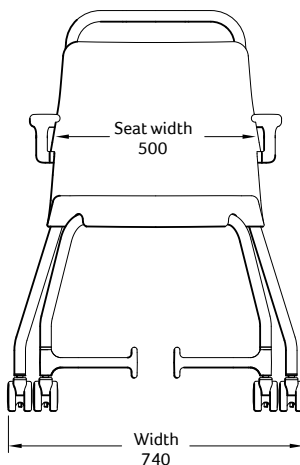
## Product Codes

Complete DBO Commode: DD001  
Commode frame: 102190  
Shell: 102197

## Accessories

### Product Codes

Pulp Pan: 102191 (Box of 100)  
Plastic Pan and Lid: DD100  
Pan Shelf: DD101  
Freestanding Commode  
Rack: DD106



Freestanding  
Commode  
Rack

